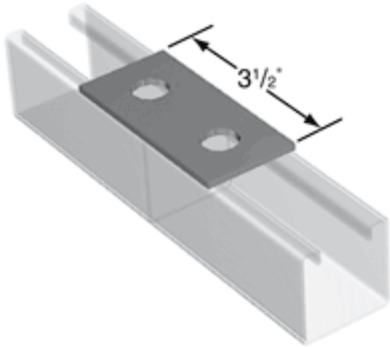


LEGEND:

GR: Powder Coated Supr-Green **EG:** Electro-Galvanized **PG:** Pre-Galvanized **AL:** Aluminum **HG:** Hot Dipped Galvanized **PL:** Plain **SS:** Stainless Steel **ZTC:** Zinc Trivalent Chromium
For Zinc Trivalent Chromium (ZTC), refer to pages 82-88 in the Specialty Strut Section. For Load Rating, see page 94.

AS 601 GR, EG, ZTC

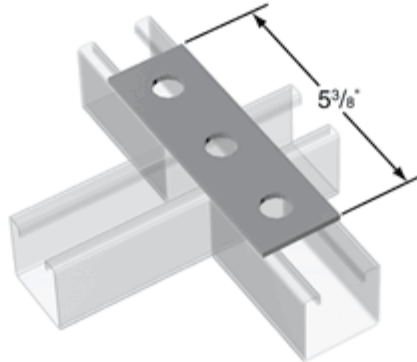
TWO HOLE SPLICE PLATE



Std Pkg: 50 · Wt/100 pcs: 38 lbs.

AS 602 GR, EG, ZTC

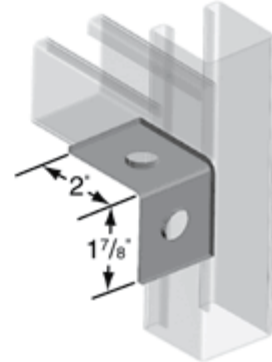
THREE HOLE SPLICE PLATE



Std Pkg: 25 · Wt/100 pcs: 50 lbs.

AS 603 GR, EG, ZTC

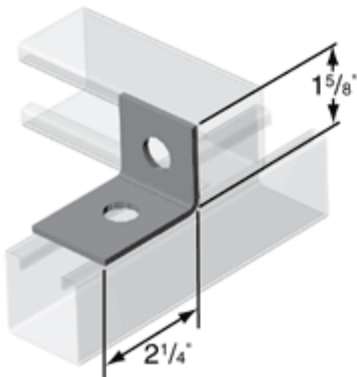
TWO HOLE END ANGLE



Std Pkg: 50 · Wt/100 pcs: 38 lbs.

AS 604 GR, EG, ZTC

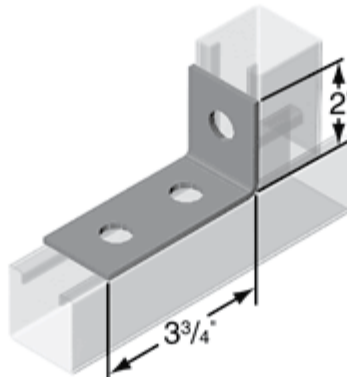
TWO HOLE CORNER ANGLE



Std Pkg: 50 · Wt/100 pcs: 38 lbs.

AS 605 GR, EG, ZTC

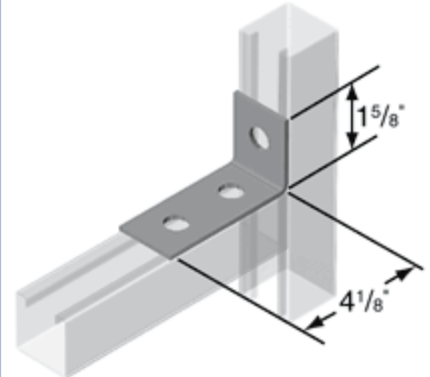
THREE HOLE CORNER ANGLE



Std Pkg: 25 · Wt/100 pcs: 58 lbs.

AS 606 GR, EG, ZTC

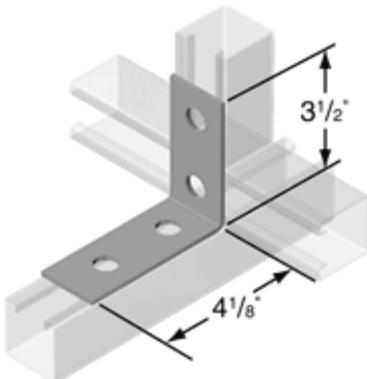
THREE HOLE CORNER ANGLE



Std Pkg: 25 · Wt/100 pcs: 58 lbs.

AS 607 GR, EG, ZTC

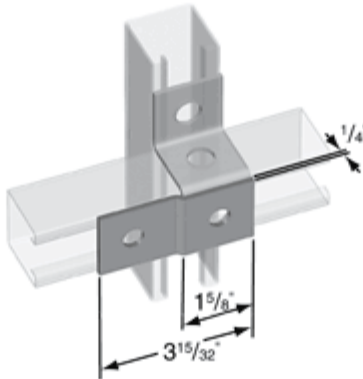
FOUR HOLE CORNER ANGLE



Std Pkg: 25 · Wt/100 pcs: 78 lbs.

AS 609 GR, EG

TWO HOLE OFFSET "Z" SUPPORT

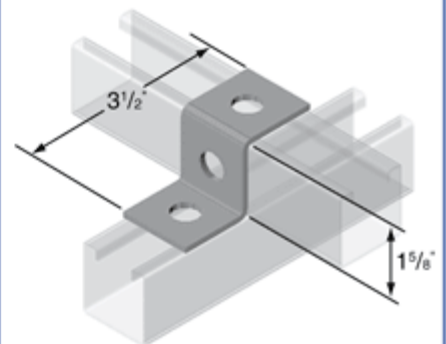


Std Pkg: 25 · Wt/100 pcs: 38 lbs.

AS 611 GR, EG, ZTC

"Z" SUPPORT

Use With AS 200, AS 210, and AS 500BTB.



Std Pkg: 50 · Wt/100 pcs: 55 lbs.